

SALES INFORMATION

03-2021 // 2021-MAR-19

NEW JUNCTION BOX FOR ALL ORBIT8 SERIES

NEW JUNCTION BOX FOR ALL ORBIT 8 SERIES



GENERAL

A new electrical junction box is being developed for all ORBIT 8 series.

The new junction box offers new features for more user friendliness:

- Introduction of knock-outs for easier assembly process
- High numbers of connection possibilities and placement of knock-outs for cable glands
- Chamfered corner & bottom power entry feature
- More robust construction and materials (10% glass fiber reinforced polycarbonate)
- Meeting CE and UL requirements
- Minimum protection level of IP54
- Flammability rating of 5VA (UL94)
- Reduced fasteners and hinged cover

AFFECTED SERIES

All ORBIT 8 SERIES are concerned:

ORBIT GSD8, ORBIT GSD8 BOREAL, ORBIT+ GSU8, ORBIT FIT GED8

SALES INFORMATION

03-2021 // 2021-MAR-19

NEW JUNCTION BOX FOR ALL ORBIT8 SERIES

NEW JUNCTION BOX

Knockouts are accesible from most sides, please find below a table indicating the possible knockout types, positions, and sizes:

New junction box concept					
Knockout qty / Knockout type	Reference	Actual knockout size	ISO designator "M" metric	US designator conduit size "G" gland	
Power entry	2 / triple knockouts	A	ø50.3 mm	M50	G 1-1/2"
			ø44.4 mm		G 1-1/2"
			ø35.3 mm		G 1-1/4"
	1 / double knockouts	E	ø40.3 mm	M40	
			ø32.2 mm	M32	
			ø25.2 mm	M25	
Control wiring	5 / double knockouts	B x 3	ø22.6 mm		G 1/2"
			ø16.2 mm	M16	
	C x 2	D	ø28.5 mm		G 3/4"
			ø20.2 mm	M20	



Note: every letter in the picture corresponds to a knockout, please refer to the table for knockout type and size

Left, bottom, and right views:



- The new design is backwards compatible, and will fit to existing studs on compressor body. Some re-routing of internal wiring might be needed.
- Compatible for all motor protection devices, except some version of the SE-B3 that do not have the DIN rail clip and the SE-i1.

SALES INFORMATION

03-2021 // 2021-MAR-19

NEW JUNCTION BOX FOR ALL ORBIT8 SERIES

IMPORTANT DIMENSIONAL CHANGES

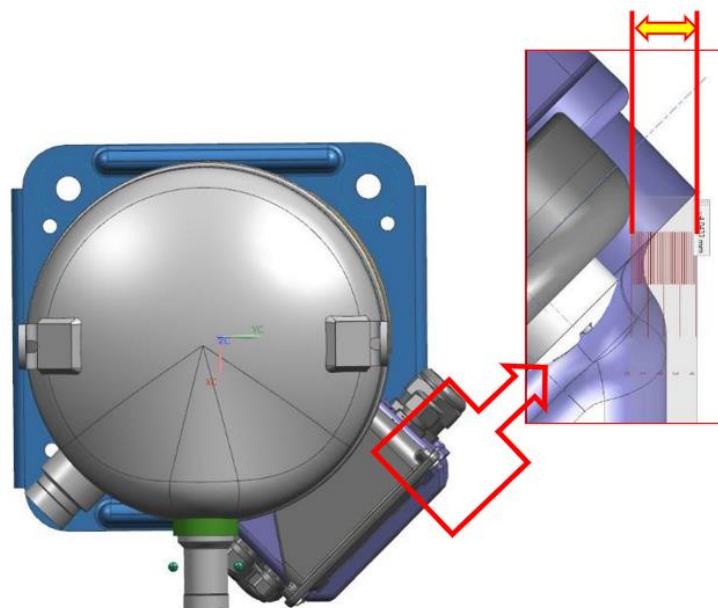
The new dimensions of the junction box are slightly different from the actual ones.

Comparing current (left) to proposed design (right, shown with all possible cable glands installed)



Superimposed view

- New box cover has chamfered edges
- Outermost edge extends +4 mm





SALES INFORMATION

03-2021 // 2021-MAR-19

NEW JUNCTION BOX FOR ALL ORBIT8 SERIES

New 2D and 3D drawings are available on demand. Please contact your Sales Team.

TIMELINE FOR INTRODUCTION

- Implementation expected in new production **starting in 3Q 2021**
- SYR (USA) and BRT (China) will change-over in the same time period.
- As the production phase-in date is approached, BITZER will provide an updated notification with the following:
 - o Updated phase-in date and expected serial number cut-in
 - o Updated compressor outline drawing and corresponding 3D CAD file (.stp format)
 - o Updated spare parts drawing
 - o P/N, availability, and pricing for the junction box spare parts kit (box, cover & labels)
- Stock inventories may contain a mixture of old and new style for a period during the transition, all order details (pricing, ZMAV) remain the same
- Should you require samples previous to the introduction date, please contact the Sales Team and mention the customer and quantity required. Samples of new box should be available for customer use in mock-ups in mid-late May 2021.

SPARE PARTS

- Spare parts stocking will also transition to the new design after run-out of existing inventory
- An accessory kit including new box and new cover will be available to replace older style
In case an OEM have a mixture of old and new junction boxes, but wants an uniform assembly in one unit, we can provide new junction boxes as SPA kit on demand.

Details about this will be communicated in a future sales information letter.

- Also note, the accessory acoustic sound blanket (P/N 37780501) will no longer fit the compressor. This will be modified at a future date.



SALES INFORMATION

03-2021 // 2021-MAR-19

NEW JUNCTION BOX FOR ALL ORBIT8 SERIES

// In case of further questions, please contact:

BITZER GmbH

Dietrich-Keller Straße 24
8074 Raaba – Grambach
Tel.: 0043 316 58 26 67 0
technik@bitzer.at